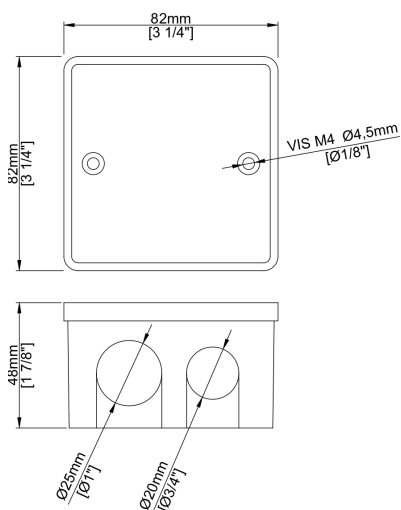


- PVC casing for controllers.
- Enables wall mounting for controllers:  
TT-U-D4, TT-DX-1/4/5/8,  
TT-U-E4S and TT-U-E5S.
- Requires two screws M4 x 50 format.



Material	Plastic
Finish	Beige
Size	82mm X 82mm X 48mm 3 1/4" x 3 1/4" x 1 7/8"
Screw	2 x M4x50mm

#### PRODUCT CODE

TT	-	TYPE	-	MODEL
TT	-	BOX	-	03