

TITANIUM

TECHNOLOGY



Controls
2025



Credit photo: Pub universitaire

TT-U-E4S Page 8

| Voltage (vDC) | Power (W) | Description |
|---------------|-----------|-------------|
| 12 | 36 | Touch panel |
| 24 | 72 | |



TT-U-E5S Page 9

| Voltage (vDC) | Power (W) | Description |
|---------------|-----------|-------------|
| 12 | 36 | Touch panel |
| 24 | 72 | |



TT-UB1 Page 10

| Voltage (vDC) | Power (W) | Description |
|---------------|-----------|-------------|
| 12, 24 | - | Touch panel |



TT-UB4 Page 11

| Voltage (vDC) | Power (W) | Description |
|---------------|-----------|-------------|
| 12, 24 | - | Touch panel |



TT-UB5 Page 12

| Voltage (vDC) | Power (W) | Description |
|---------------|-----------|-------------|
| 12, 24 | - | Touch panel |



TT-Q4 Page 13

| Voltage (vDC) | Power (W) | Description |
|---------------|-----------|-------------|
| - | - | Remote |



TT-Q5 Page 13

| Voltage (vDC) | Power (W) | Description |
|---------------|-----------|-------------|
| - | - | Remote |



TT-RC4 Page 14

| Voltage (vDC) | Power (W) | Description |
|---------------|-----------|-------------|
| - | - | Remote |



TT-U-M1 Page 15

| Voltage (vDC) | Power (W) | Description |
|---------------|-----------|-------------|
| 12 | 60 | Remote |
| 24 | 120 | |



TT-U-M1-MINI Page 16

| Voltage (vDC) | Power (W) | Description |
|---------------|-----------|-------------|
| 12 | 36 | Remote |
| 24 | 72 | |



TT-U-M3-MINI Page 17

| Voltage (vDC) | Power (W) | Description |
|---------------|-----------|-------------|
| 12 | 36 | Remote |
| 24 | 72 | |



TT-U-M4 Page 18

| Voltage (vDC) | Power (W) | Description |
|---------------|-----------|-------------|
| 12 | 60 | Remote |
| 24 | 120 | |



TT-U-M5-MINI Page 19

| Voltage (vDC) | Power (W) | Description |
|---------------|-----------|-------------|
| 12 | 36 | Remote |
| 24 | 72 | |



TT-Y-5C-4A Page 20

| Voltage (vDC) | Power (W) | Description |
|---------------|-----------|-------------|
| 12 | 48 | Receiver |
| 24 | 96 | |



TT-Y-5C-6A Page 21

| Voltage (vDC) | Power (W) | Description |
|---------------|-----------|-------------|
| 12 | 96 | Receiver |
| 48 | 192 | |



TT-Y-R-CCT Page 22

| Voltage (vDC) | Power (W) | Description |
|---------------|-----------|-------------|
| - | - | Remote |



TT-Y-R-M Page 23

| Voltage (vDC) | Power (W) | Description |
|---------------|-----------|-------------|
| - | - | Remote |



TT-Y-R-RGBCCT Page 24

| Voltage (vDC) | Power (W) | Description |
|---------------|-----------|-------------|
| - | - | Remote |



TT-Y-R-RGBW Page 25

| Voltage (vDC) | Power (W) | Description |
|---------------|-----------|-------------|
| - | - | Remote |



TT-SDD-24096-DIM Page 26

| Tension (vDC) | Puissance (W) | Description |
|---------------|---------------|------------------------|
| 24 | 96 Classe 2 | Interrupteur gradateur |



TT-SDD-24096-DIM Page 27

| Tension (vDC) | Puissance (W) | Description |
|---------------|---------------|------------------------|
| 24 | 96 Classe 2 | Interrupteur gradateur |



TT-Y-W1-CCT Page 28

| Voltage (vDC) | Power (W) | Description |
|---------------|-----------|-------------|
| - | - | Wall Remote |



TT-Y-W1-M Page 29

| Voltage (vDC) | Power (W) | Description |
|---------------|-----------|-------------|
| - | - | Wall Remote |



TT-Y-W1-RGBW Page 30

| Voltage (vDC) | Power (W) | Description |
|---------------|-----------|-------------|
| - | - | Wall Remote |



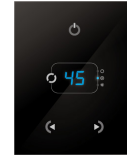
TT-STICK-GU2 Page 31

| Voltage (vDC) | Power (W) | Description |
|---------------|-----------|-------------|
| 5 ~ 12 | - | Touch panel |



TT-STICK-GA2 Page 31

| Voltage (vDC) | Power (W) | Description |
|---------------|-----------|-------------|
| 5 ~ 12 | - | Touch panel |



TT-STICK-CW4 Page 31

| Voltage (vDC) | Power (W) | Description |
|---------------|-----------|-------------|
| 5 ~ 15 | - | Touch panel |



TT-STICK-DE3 Page 31

| Voltage (vDC) | Power (W) | Description |
|---------------|-----------|-------------|
| 5 ~ 6 | - | Touch panel |



TT-STICK-KE2 Page 31

| Voltage (vDC) | Power (W) | Description |
|---------------|-----------|-------------|
| 5 ~ 6 | - | Touch panel |



TT-SUITE3-BC Page 32

| Voltage (vDC) | Power (W) | Description |
|---------------|-----------|-------------|
| 5 | - | Sunlite |



TT-SUITE3-EC Page 32

| Voltage (vDC) | Power (W) | Description |
|---------------|-----------|-------------|
| 5 | - | Sunlite |



TT-SLESA-U11 Page 33

| Voltage (vDC) | Power (W) | Description |
|---------------|-----------|-------------|
| 5 | - | Sunlite |



TT-SLESA-U10 Page 33

| Voltage (vDC) | Power (W) | Description |
|---------------|-----------|-------------|
| 5 | - | Sunlite |



TT-SLESA-U9 Page 33

| Voltage (vDC) | Power (W) | Description |
|---------------|-----------|-------------|
| 5 | - | Sunlite |



TT-DMX-4C Page 34

| Voltage (vDC) | Power (W) | Description |
|---------------|-----------|-------------|
| 5 | 30 | DMX |
| 12 | 72 | |
| 24 | 144 | |



TT-DMX-5C Page 35

| Voltage (vDC) | Power (W) | Description |
|---------------|-----------|-------------|
| 12 | 60 | DMX |
| 24 | 120 | |



TT-DMX-32C Page 36

| Voltage (vDC) | Power (W) | Description |
|---------------|-----------|-------------|
| 12 | 36 | DMX |
| 24 | 72 | |



TT-AMP-4-32 Page 37

| Voltage (vDC) | Power (W) | Description |
|---------------|-----------|-------------|
| 5 | 40 | Amplifier |
| 12 | 96 | |
| 24 | 192 | |



TT-AMP-5-50 Page 38

| Voltage (vDC) | Power (W) | Description |
|---------------|-----------|-------------|
| 5 | 50 | Amplifier |
| 12 | 120 | |
| 24 | 240 | |



TT-DMX-OPTO Page 39

| Voltage (vDC) | Power (W) | Description |
|---------------|-----------|-------------|
| 12 | 8 | DMX |
| 24 | | |



TT-DR-CVB65-DMX-100 Page 40

| Voltage (vAC) | Power (W) | Description |
|---------------|-----------|-------------|
| 110 ~ 277 | 100 | DMX |



TT-DR-CVB65-DMX-300 Page 41

| Voltage (vAC) | Power (W) | Description |
|---------------|-----------|-------------|
| 110 ~ 277 | 300 | DMX |



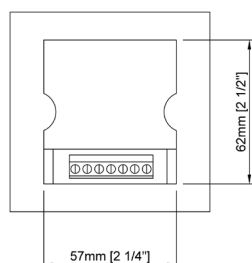
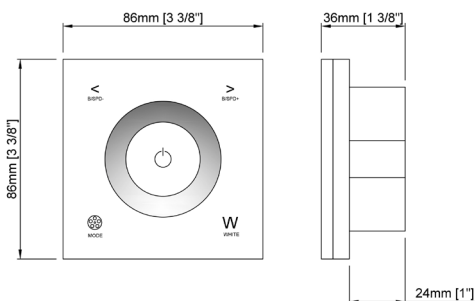
TITANIUM

TECHNOLOGY

TT-U-E4S



- One RGBW zone touch panel Controller.
- Connects directly to 12vDC or 24vDC.
- 4A per channel, 16A maximum.
- Install to the wall with a European-style connection box T-T-BOX-03.



| | | |
|----------------------|---|-------|
| Voltage | 12vDC | 24vDC |
| Power per channel | 36w | 72w |
| Amperage per channel | 3A | 3A |
| Channel | 4 | |
| Finish | White | |
| Dimmable | Yes | |
| Size | 86mm x 86mm x 36mm 3 ³ / ₈ " x 3 ³ / ₈ " x 1 ³ / ₈ " | |
| IP | 20 | |

Accessories



TT-BOX-03



TT-Q4

PRODUCT CODE

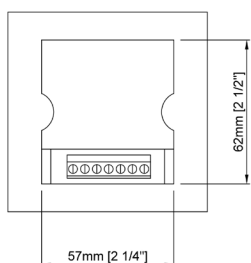
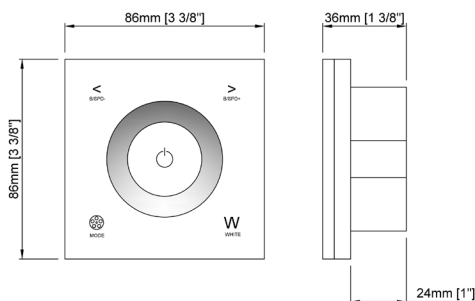
TT - TYPE - MODEL

TT - U - E4S

TT-U-E5S



- One RGB+CCT zone touch panel Controller.
- Connects directly to 12vDC or 24vDC.
- 3A per channel, 12A maximum.
- Install to the wall with a European-style connection box TT-BOX-03.



| | | |
|----------------------|---|-------|
| Voltage | 12vDC | 24vDC |
| Power per channel | 36w | 72w |
| Amperage per channel | 3A | 3A |
| Channel | 5 | |
| Finish | White | |
| Dimmable | Yes | |
| Size | 86mm x 86mm x 36mm 3 ³ / ₈ " x 3 ³ / ₈ " x 1 ³ / ₈ " | |
| IP | 20 | |

Accessories



TT-BOX-03



TT-Q5

PRODUCT CODE

| | | | | |
|----|---|------|---|-------|
| TT | - | TYPE | - | MODEL |
| TT | - | U | - | E5S |

TITANIUM

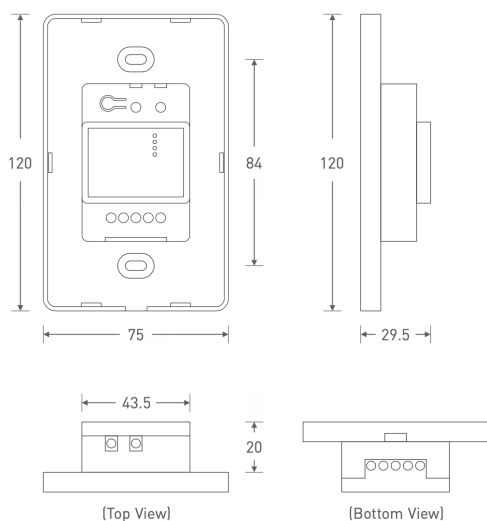
TECHNOLOGY

TT-UB1



- Touch panel
- Control 1 color
- 4 Zones
- 4 Scene keys
- Control by app

| | |
|-------------------|--|
| Voltage | 12vDC, 24vDC |
| Wireless protocol | Bluetooth 5.0 Sig Mesh |
| Output signal | DMX |
| Zones | 4 |
| Size | 120 mm X 75 mm X 30 mm 4 ³ / ₄ " X 2 ¹⁵ / ₁₆ " X 1 ³ / ₁₆ " |



PRODUCT CODE

| | | |
|----|---|-------|
| TT | - | MODEL |
| TT | - | UB1 |

TITANIUM

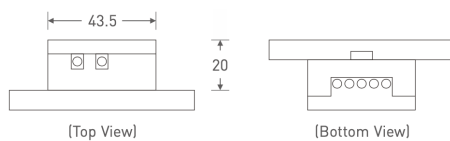
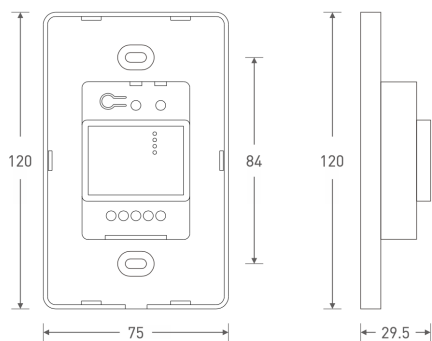
TECHNOLOGY

TT-UB4



- Touch panel
- Control RGBW
- 4 Zones
- 4 Scene keys
- Control by app

| | |
|-------------------|--|
| Voltage | 12vDC, 24vDC |
| Wireless protocol | Bluetooth 5.0 Sig Mesh |
| Output signal | DMX |
| Zones | 4 |
| Size | 120 mm X 75 mm X 30 mm 4 ³ / ₄ " X 2 ¹⁵ / ₁₆ " X 1 ³ / ₁₆ " |



Accessories



PRODUCT CODE

| | | |
|----|---|-------|
| TT | - | MODEL |
| TT | - | UB4 |

TITANIUM

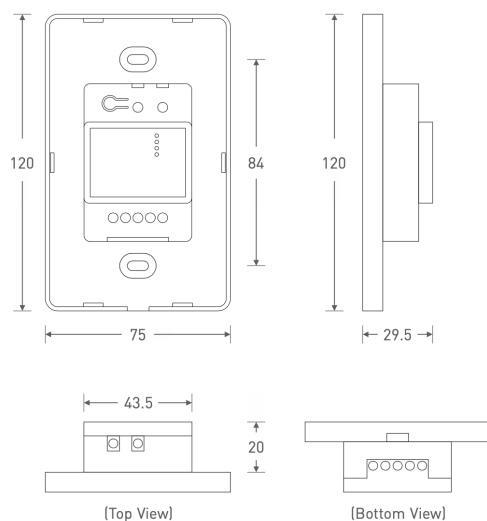
TECHNOLOGY

TT-UB5



- Touch panel
- Control RGCCT
- 4 Zones
- 4 Scene keys
- Control by app

| | |
|-------------------|--|
| Voltage | 12vDC, 24vDC |
| Wireless protocol | Bluetooth 5.0 Sig Mesh |
| Output signal | DMX |
| Zones | 4 |
| Size | 120 mm X 75 mm X 30 mm 4 ³ / ₄ " X 2 ¹⁵ / ₁₆ " X 1 ³ / ₁₆ " |



PRODUCT CODE

| | | |
|----|---|-------|
| TT | - | MODEL |
| TT | - | UB5 |

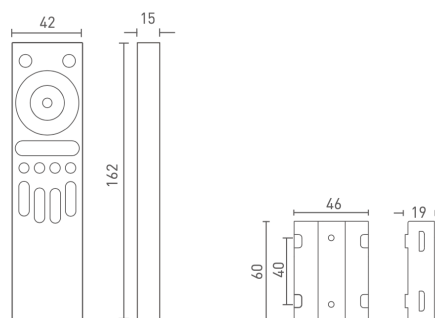
TITANIUM

TECHNOLOGY

TT-Q4



- 4 zones control RGBW
- RF 2,4 GHz
- Work with TT-U-E4S



Q series remote

Remote holder

Accessories



TT-U-E4S

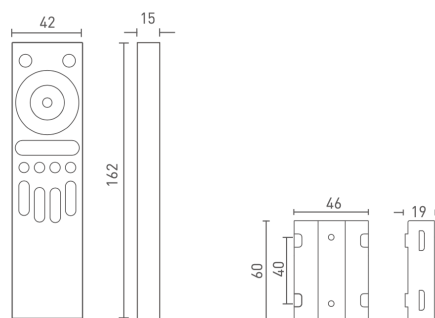
PRODUCT CODE

| TT | - | MODEL |
|----|---|-------|
| TT | - | Q4 |

TT-Q5



- 4 zones control RGB CCT
- RF 2,4 GHz
- Work with TT-U-E5S



Q series remote

Remote holder

Accessories



TT-U-E5S

PRODUCT CODE

| TT | - | MODEL |
|----|---|-------|
| TT | - | Q5 |

TT-RC4



- Control TT-UB4
- 4 zones
- Bluetooth led remote

Accessories



TT-UB4

PRODUCT CODE

| TT | - | MODEL |
|----|---|-------|
| TT | - | RC4 |

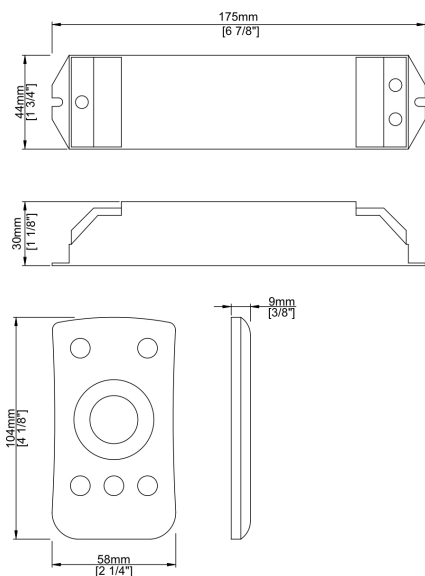
TITANIUM

TECHNOLOGY

TT-U-M1



- The M series is a remote receiver set all-in-one.
- The remote can control four outputs channel of the receiver simultaneously.
- The set includes a wall bracket for remote control.



| | | |
|----------------------|---|-------|
| Voltage | 12vDC | 24vDC |
| Power per channel | 60w | 120w |
| Amperage per channel | 5A | 5A |
| Channel | 4 | |
| Finish | White | |
| Dimmable | Yes | |
| Size | Remote 104mm X 58mm X 9mm 4 ¹ / ₈ " x 2 ¹ / ₄ " x 3 ³ / ₈ " Receiver 175mm X 44mm X 30mm 6 ⁷ / ₈ " x 1 ³ / ₄ " x 1 ¹ / ₈ " | |
| IP | 20 | |

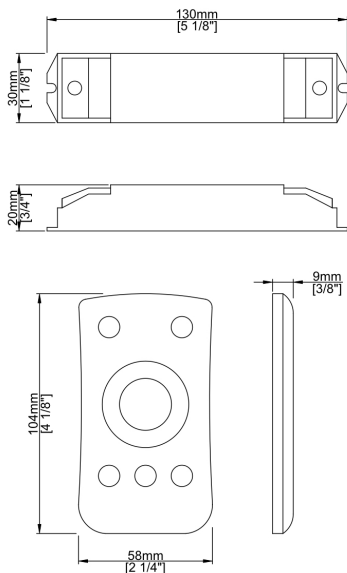
PRODUCT CODE

| TT | - | TYPE | - | MODEL |
|----|---|------|---|-------|
| TT | - | U | - | M1 |

TT-U-M1-MINI



- The M series is a remote receiver set all-in-one.
- The remote can control four outputs channel of the receiver simultaneously.
- The set includes a wall bracket for remote control.



| | | |
|----------------------|---|-------|
| Voltage | 12vDC | 24vDC |
| Power per channel | 36w | 72w |
| Amperage per channel | 3A | 3A |
| Channel | 3 | |
| Finish | White | |
| Dimmable | Yes | |
| Size | Remote 104mm X 58mm X 9mm 4 ¹ / ₈ " x 2 ¹ / ₄ " x 3 ³ / ₈ " Receiver 130mm X 30mm X 20mm 5 ¹ / ₈ " x 1 ¹ / ₈ " x 3 ³ / ₄ " | |
| IP | 20 | |

PRODUCT CODE

| | | | | |
|----|---|------|---|---------|
| TT | - | TYPE | - | MODEL |
| TT | - | U | - | M1-MINI |

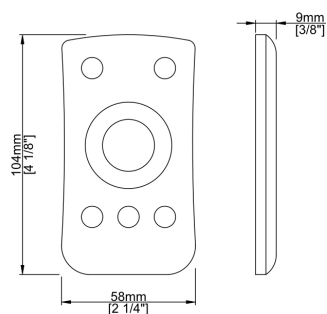
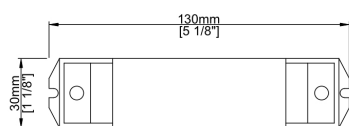
TITANIUM

TECHNOLOGY

TT-U-M3-MINI



- The M series is a remote receiver set all-in-one.
- The three-channel remote can control each receiver outputs independently in mode RGB.
- The set includes a wall bracket for remote control.



| | | |
|----------------------|---|-------|
| Voltage | 12vDC | 24vDC |
| Power per channel | 36w | 72w |
| Amperage per channel | 3A | 3A |
| Channel | 3 | |
| Finish | White | |
| Dimmable | Yes | |
| Size | Remote 104mm X 58mm X 9mm 4 ¹ / ₈ " x 2 ¹ / ₄ " x ³ / ₈ " Receiver 130mm X 30mm X 20mm 5 ¹ / ₈ " x 1 ¹ / ₈ " x ³ / ₄ " | |
| IP | 20 | |

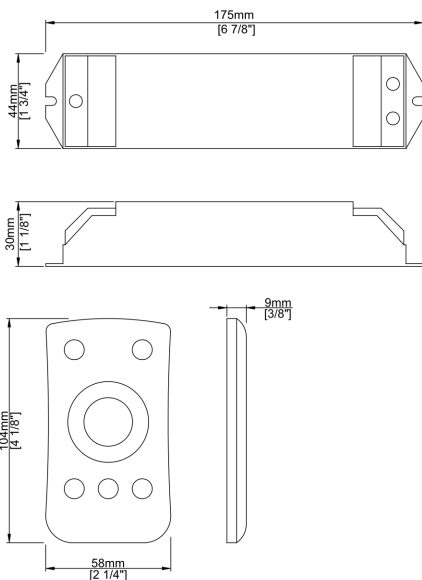
PRODUCT CODE

| TT | - | TYPE | - | MODEL |
|----|---|------|---|---------|
| TT | - | U | - | M3-MINI |

TT-U-M4



- The M series is a remote receiver set all-in-one.
- The four-channel remote can controls each receiver outputs independently in mode RGBW.
- The set includes a wall bracket for remote control.



| | | |
|----------------------|---|-------|
| Voltage | 12vDC | 24vDC |
| Power per channel | 60w | 120w |
| Amperage per channel | 5A | 5A |
| Channel | 4 | |
| Finish | White | |
| Dimmable | Yes | |
| Size | Remote 104mm X 58mm X 9mm 4 ¹ / ₈ " x 2 ¹ / ₄ " x 3 ³ / ₈ " Receiver 175mm X 44mm X 30mm 6 ⁷ / ₈ " x 1 ³ / ₄ " x 1 ¹ / ₈ " | |
| IP | 20 | |

PRODUCT CODE

| | | | | |
|----|---|------|---|-------|
| TT | - | TYPE | - | MODEL |
| TT | - | U | - | M4 |

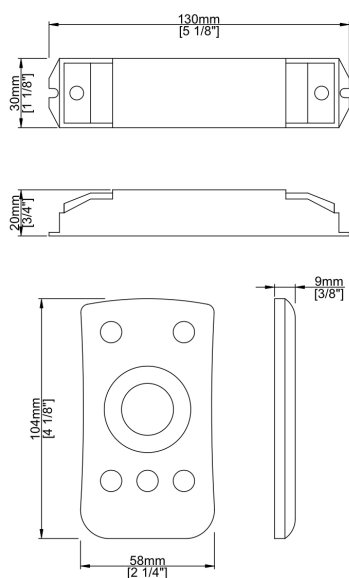
TITANIUM

TECHNOLOGY

TT-U-M5-MINI



- The M series is a remote receiver set all-in-one.
- The three-channel remote can controls each receiver outputs independently in mode CCT.
- The set includes a wall bracket for remote control.



| | | |
|----------------------|---|-------|
| Voltage | 12vDC | 24vDC |
| Power per channel | 36w | 72w |
| Amperage per channel | 3A | 3A |
| Channel | 2 | |
| Finish | White | |
| Dimmable | Yes | |
| Size | Remote 104mm X 58mm X 9mm 4 ¹ / ₈ " x 2 ¹ / ₄ " x 3 ³ / ₈ " Receiver 130mm X 30mm X 20mm 5 ¹ / ₈ " x 1 ¹ / ₈ " x 3 ³ / ₄ " | |
| IP | 20 | |

PRODUCT CODE

| | | | | |
|----|---|------|---|---------|
| TT | - | TYPE | - | MODEL |
| TT | - | U | - | M5-MINI |

TITANIUM

TECHNOLOGY

TT-Y-5C-4A



- Multi mode WiFi RF receiver for the TT-Y series.

| | | |
|----------------------|--|-------|
| Voltage | 12vDC | 24vDC |
| Power per channel | 48w | 96w |
| Amperage per channel | 4A | 4A |
| Channel | 5 | |
| Finish | White | |
| Size | 145mm x 46.5mm x 16mm 5 ¹¹ / ₁₆ " x 1 ¹³ / ₁₆ " x 5 ⁵ / ₈ " | |
| IP | 20 | |

PRODUCT CODE

| | | | | |
|----|---|------|---|-------|
| TT | - | TYPE | - | MODEL |
| TT | - | Y | - | 5C-4A |

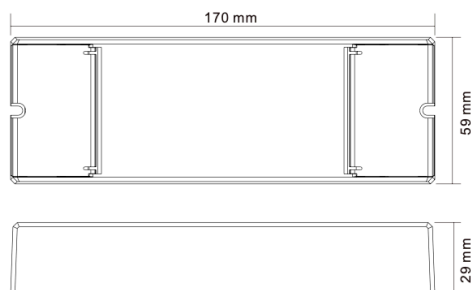
TITANIUM

TECHNOLOGY

TT-Y-5C-6A



- Multi mode WiFi RF receiver for the TT-Y series.



| | | |
|----------------------|---|-------|
| Voltage | 12vDC | 48vDC |
| Power per channel | 96w | 192w |
| Amperage per channel | 8A | 8A |
| Channel | 5 | |
| Finish | White | |
| Size | 170mm x 59mm x 29mm 6 ¹¹ / ₁₆ " x 2 ⁵ / ₁₆ " x 1 ¹ / ₈ " | |
| IP | 20 | |

PRODUCT CODE

| | | | | |
|----|---|------|---|-------|
| TT | - | TYPE | - | MODEL |
| TT | - | Y | - | 5C-6A |

TITANIUM

TECHNOLOGY

TT-Y-R-CCT



- RF remote control for TT-Y series.

| | |
|---------|--|
| Channel | 2 |
| Finish | Black |
| Size | 120mm X 55mm X 17mm 4 ³ / ₄ " X 2 ³ / ₁₆ " X 1 ¹ / ₁₆ " |
| CCT | CCT 2 whites |
| IP | 20 |

PRODUCT CODE

TT - TYPE - MODEL - MODE

TT - Y - R - CCT

TT-Y-R-M



- RF remote control for TT-Y series.

| | |
|---------|--|
| Channel | 1 |
| Finish | Black |
| Size | 120mm X 55mm X 17mm 4 ³ / ₄ " X 2 ³ / ₁₆ " X 1 ¹ / ₁₆ " |
| CCT | Mono 1 white |
| IP | 20 |

PRODUCT CODE

TT - TYPE - MODEL - MODE

TT - Y - R - M

TT-Y-R-RGBCCT



- RF remote control for TT-Y series.

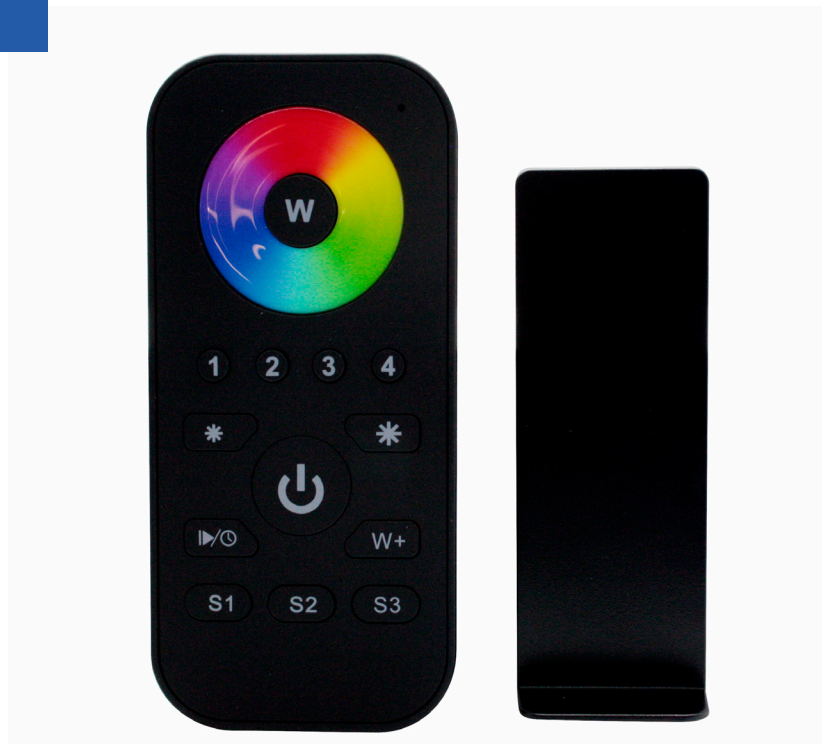
| | |
|---------|---|
| Channel | 5 |
| Finish | Black |
| Size | 153mm X 52mm X 19mm 6 ¹ / ₃₂ " X 2 ¹ / ₁₆ " X 3/4" |
| CCT | RGBCCT |
| IP | 20 |

PRODUCT CODE

TT - TYPE - MODEL - MODE

TT - Y - R - RGBCCT

TT-Y-R-RGBW



- RF remote control for TT-Y series.

| | |
|---------|--|
| Channel | 4 |
| Finish | Black |
| Size | 120mm X 55mm X 17mm 4 ³ / ₄ " X 2 ³ / ₁₆ " X 1 ¹ / ₁₆ " |
| CCT | RGBW |
| IP | 20 |

PRODUCT CODE

| | | | | | | |
|----|---|------|---|-------|---|------|
| TT | - | TYPE | - | MODEL | - | MODE |
| TT | - | Y | - | R | - | RGBW |

TT-SDD-24096-DIM



- DIM wall dimmer switch
- 2 in 1 Driver
- Dimming range from 0.3% to 100%

| | |
|----------------|---|
| Input voltage | 120 VAC |
| Output voltage | 24 V |
| Output power | 96 w (class 2) |
| Amperage | 4 A |
| Size | 105mm X 54mm X 51mm 4 1/8" x 2 1/8" x 2" |
| Finish | WH - White BK - Black |

PRODUCT CODE

| TT | - | TYPE | - | MODEL | - | FUNCTION | - | FINISH |
|----|---|------|---|-------|---|----------|---|--------|
| TT | - | SDD | - | 24096 | - | DIM | - | WH |
| TT | - | SDD | - | 24096 | - | DIM | - | |

TT-SDD-24096-CCT



- CCT wall dimmer switch
- 2 in 1 Driver CCT
- Dimming range from 0.3% to 100%

| | |
|----------------|---|
| Input voltage | 120 VAC |
| Output voltage | 24 vDC |
| Output power | 96 w (class 2) |
| Amperage | 4 A |
| Size | 105mm X 54mm X 51mm 4 1/8" x 2 1/8" x 2" |
| Finish | WH - White BK - Black |

PRODUCT CODE

| TT | - | TYPE | - | MODEL | - | FUNCTION | - | FINISH |
|----|---|------|---|-------|---|----------|---|--------|
| TT | - | SDD | - | 24096 | - | CCT | - | WH |
| TT | - | SDD | - | 24096 | - | CCT | - | |

TT-Y-W1-CCT



- Decora style RF wall remote control for the TT-Y series.

| | |
|---------|---|
| Channel | 2 |
| Finish | White |
| Size | 66mm X 32.5mm X 8.9mm 2 ⁵ / ₈ " X 1 ⁵ / ₁₆ " X 3/ ₈ " |
| CCT | CCT 2 whites |
| IP | 20 |

PRODUCT CODE

TT - TYPE - MODEL - MODE

TT - Y - W1 - CCT

TT-Y-W1-M



- Decora style RF wall remote control for the TT-Y series.

| | |
|---------|---|
| Channel | 1 |
| Finish | White |
| Size | 66mm X 32.5mm X 8.9mm 2 ⁵ / ₈ " X 1 ⁵ / ₁₆ " X 3 ³ / ₈ " |
| CCT | Mono 1 white |
| IP | 20 |

PRODUCT CODE

| | | | | | | |
|----|---|------|---|-------|---|------|
| TT | - | TYPE | - | MODEL | - | MODE |
| TT | - | Y | - | W1 | - | M |

TT-Y-W1-RGBW



- Decora style RF wall remote control for the TT-Y series.

| | |
|---------|---|
| Channel | 4 |
| Finish | White |
| Size | 66mm X 32.5mm X 8.9mm 2 ⁵ / ₈ " X 1 ⁵ / ₁₆ " X 3 ³ / ₈ " |
| CCT | RGBW |
| IP | 20 |

PRODUCT CODE

TT - TYPE - MODEL - MODE

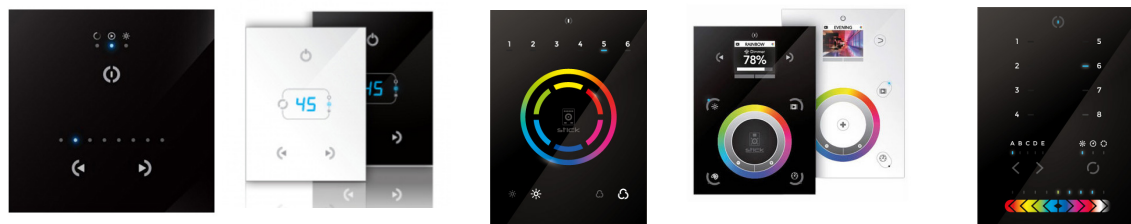
TT - Y - W1 - RGBW

TITANIUM

TECHNOLOGY

STICK CONTROLLER SERIES

- Wall touch lighting controller.
- Computer programming and operates in standalone mode thereafter.
- Can be controlled by mobile application.



| Product code | TT-STICK-GU2 | TT-STICK-GA2 | TT-STICK-CW4 | TT-STICK-DE3 | TT-STICK-KE2 |
|-----------------------------|--|---|--|--|--|
| USB connection | • | • | • | • | • |
| Ethernet connection | | • | • | • | • |
| DMX channels | 128 | 512 | 1024 | 1024 | 1024 |
| Easy Stand Alone 2 (PC/MAC) | • | • | • | • | • |
| Easy Stand Alone Pro | • | • | • | • | • |
| Stick Remote App | | | • | • | • |
| Arcolis app | | | • | • | • |
| Number of scenes | 24 | 99 | 36 | 500 | 200 |
| Number of zone | 1 | 1 | 1 | 10 | 5 |
| Stand alone memory | 12K | 79K | 76K | microSD | microSD |
| Live control | Color and dimmer | Color and dimmer | Color and dimmer | Color, dimmer, speed | Color, dimmer, speed |
| Touch-sensitive buttons | 3 | 4 | 12 + wheel | 10 + wheel | 12 + cursor |
| Port triggering | 1 | 8 | 8 | 8 | 8 |
| Clock triggering | | | 100 | 100 | 40 |
| RS232 triggering | | | | • | • |
| Size | 86 x 86 x 11 mm 3 ³ / ₈ " x 3 ³ / ₈ " x 3 ³ / ₈ " | 86 x 110 x 11 mm 3 ³ / ₈ " x 3 ³ / ₈ " x 3 ³ / ₈ " | 106 x 146 x 11 mm 4 ¹ / ₈ " x 5 ³ / ₄ " x 3 ³ / ₈ " | 106 x 146 x 11 mm 4 ¹ / ₈ " x 5 ³ / ₄ " x 3 ³ / ₈ " | 130 x 170 x 11 mm 5 ¹ / ₈ " x 6 ³ / ₄ " x 3 ³ / ₈ " |
| Power | 5~12vDC 300mA | 5~12vDC 300mA | 5~15vDC 300mA | 5~6vDC 300mA | 5~6vDC 300mA |

TITANIUM

TECHNOLOGY

SUNLITE SUITE 3 SERIES

- Computer lighting control module.
- Can be controlled remotely by mobile application.



| Product code | TT-SUITE3-BC | TT-SUITE3-EC |
|---------------------|---|---|
| USB connection | • | • |
| Ethernet connection | | |
| ArtNet connection | *option | *option |
| DMX channels | 256 | 1024 |
| Easy Stand Alone | | |
| Easy Stand Alone 2 | *option | |
| Sunlite Suite 3 | Express | Full |
| Sunlite Suite 2 | Express | Full |
| Easy Remote App | | |
| Number of zone | | |
| Stand alone memory | 64K | 100K |
| Buttons | | 3 |
| Port triggering | | 8 |
| Clock triggering | | |
| MIDI triggering | | |
| RDM | *option | *option |
| Size | 88 x 50 x 38 mm 3 1/2" x 2" x 1 1/2" | 79 x 92 x 43 mm 3 1/8" x 3 5/8" x 1 3/4" |
| Power | 5vDC via USB-C | 5vDC via USB-C |

TITANIUM

TECHNOLOGY

SLESA CONTROLLER SERIES

- Full range of standalone DMX interfaces.
- For architectural applications or installations
- Each DMX interface corresponds to a well-identified use and its association with one of the software of the range allows to control the lighting of places as diverse as houses, hotels, restaurants, offices, monuments, fountains, gardens ...

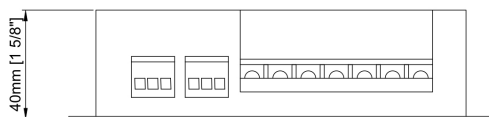
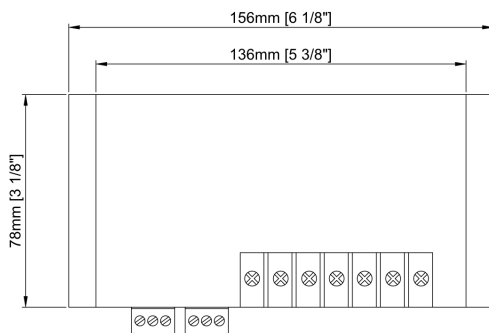


| Product code | TT-SLESA-U11 | TT-SLESA-U10 | TT-SLESA-U9 |
|------------------------|---|--|--|
| USB connection | • | • | • |
| Ethernet connection | • | | |
| WiFi connection | | • | |
| DMX channels | 1024 | 512 | 256 |
| Easy Stand Alone | | • | • |
| Easy Stand Alone 2 | • | • | • |
| Easy Stand Alone Pro | | | |
| Easy Stand Alone Pro 2 | • | • | • |
| Arcolis | • | | |
| Number of scenes | 99 | 99 | 20 |
| Number of zone | 5 | 1 | 1 |
| Stand alone memory | microSD | 100K | 20K |
| Buttons | | 3 | 3 |
| Port triggering | 16 | 8 | 8 |
| Clock triggering | | | |
| Infrared triggering | | | |
| Size | 160 x 90 x 45 mm 6 ⁵ / ₁₆ " x 3 ⁹ / ₁₆ " x 1 ³ / ₄ " | 79 x 92 x 43 mm 3 ¹ / ₈ " x 3 ⁵ / ₈ " x 1 ³ / ₄ " | 79 x 92 x 43 mm 3 ¹ / ₈ " x 3 ⁵ / ₈ " x 1 ³ / ₄ " |
| Power | 5vDC 300mA USB-C | 5vDC 300mA USB-C | 5vDC 300mA mini USB |



- LT-840-6A communication, achieves remote management of reading and writing DMX address (DMX master controller must recognize the RDM protocol). Equipped with DMX standard 3-pin XLR, RJ45, green terminal interface.
- Realize 0-100% dimming or different lighting effect; workable with single color, bi-color, RGB or RGBW LED lamps. With the standard RDM remote device management protocol, supports DMX512 signal bi-directional.

| | | | |
|----------------------|--|-------|-------|
| Voltage | 5vDC | 12vDC | 24vDC |
| Power per channel | 30w | 72w | 144w |
| Amperage per channel | 6A | 6A | 6A |
| Channel | 4 | | |
| Finish | Black | | |
| Dimmable | Yes | | |
| Size | 156mm X 78mm X 40mm 6 ¹ / ₈ " x 3 ¹ / ₈ " x 1 ⁵ / ₈ " | | |
| IP | 20 | | |



PRODUCT CODE

| | | | | |
|----|---|------|---|-------|
| TT | - | TYPE | - | MODEL |
| TT | - | DMX | - | 4C |

TITANIUM

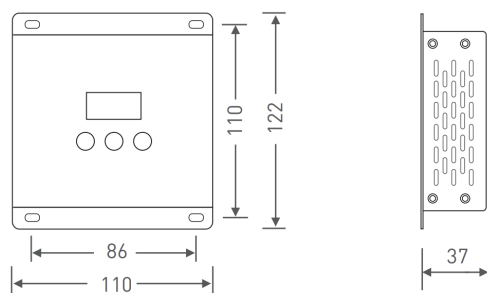
TECHNOLOGY

TT-DMX-5C



- Designed for Hi-power multiple channels application, 5 channels output, and Max. 5A current per channel, up to 600W output power.
- Five kinds of mode optional: single color, color temperature, RGB, RGBW or RGBCCT
- Support 2 kinds of DMX ports with signal isolation function: XLR-5 or RJ45.
- With RDM remote management protocol the operations can be completed via the RDM master console, such as parameters browsing & setting, DMX address setting,

| | | |
|----------------------|---|-------|
| Voltage | 12vDC | 24vDC |
| Power per channel | 60W | 120w |
| Amperage per channel | 5A | 5A |
| Maximum amperage | 25A | |
| Channel | 5 | |
| Finish | Black | |
| Dimmable | Yes | |
| Size | 110mm X 122mm X 37mm 4 ³ / ₈ " x 4 ³ / ₄ " x 1 ¹ / ₂ " | |
| IP | 20 | |



PRODUCT CODE

| | | | | |
|----|---|------|---|-------|
| TT | - | TYPE | - | MODEL |
| TT | - | DMX | - | 5C |

TITANIUM

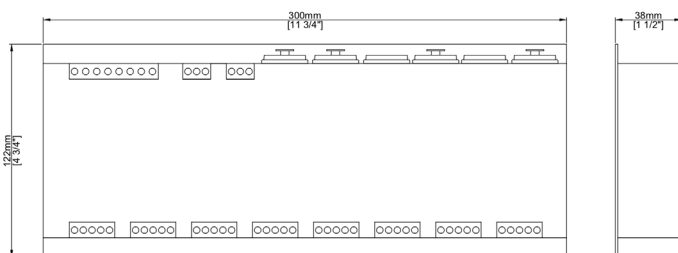
TECHNOLOGY

TT-DMX-32C



- Designed for Hi-power multiple channels application, 32 channels output, and Max. 3A current per channel, up to 2304W output power.
- 4 kinds of mode optional: single color, color temperature, RGB, RGBW
- Support 4 kinds of DMX ports with signal isolation function: XLR-3, XLR-5, RJ45 and green terminal (with signal amplifier function).
- With RDM remote management protocol the operations can be completed via the RDM master console, such as parameters browsing & setting, DMX address setting.

| | | |
|----------------------|--|-------|
| Voltage | 12vDC | 24vDC |
| Power per channel | 36W | 72W |
| Amperage per channel | 3A | 3A |
| Maximum amperage | 96A | |
| Channel | 32 | |
| Finish | Black | |
| Dimmable | Yes | |
| Size | 300mm X 122mm X 38mm 11 ³ / ₄ " x 4 ³ / ₄ " x 1 ¹ / ₂ " | |
| IP | 20 | |

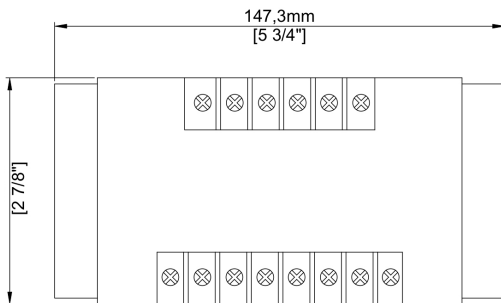


PRODUCT CODE

| | | | | |
|----|---|------|---|-------|
| TT | - | TYPE | - | MODEL |
| TT | - | DMX | - | 32C |



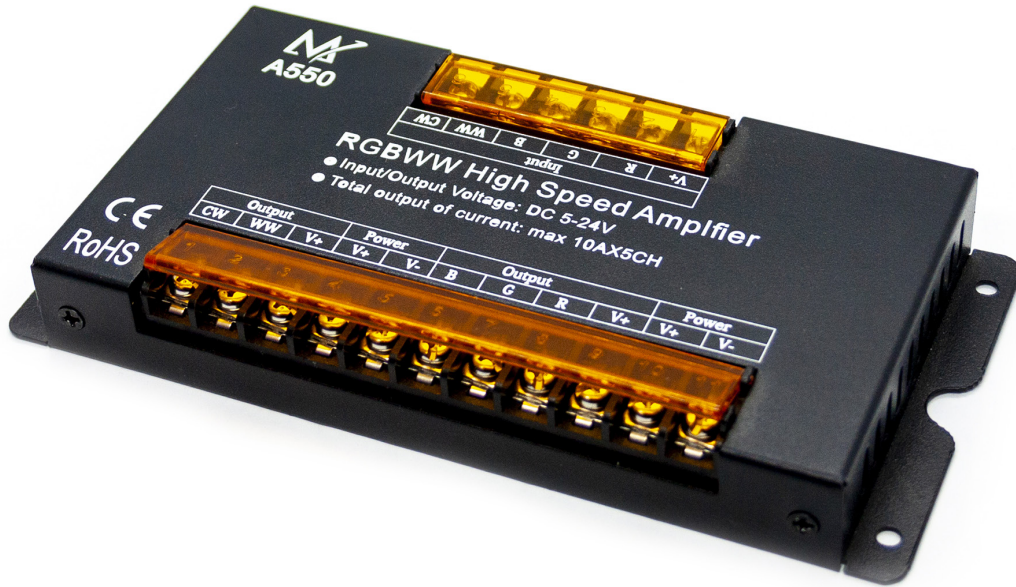
- Amplifier four channels.
- Reproduces and amplifies an RGBW signal.
- 8A maximum each channel



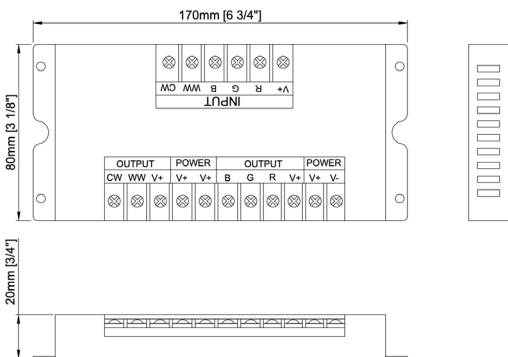
| | | | |
|----------------------|--|-------|-------|
| Voltage | 5vDC | 12vDC | 24vDC |
| Power per channel | 40w | 96w | 192w |
| Amperage per channel | 8A | 8A | 8A |
| Channel | 4 | | |
| Finish | Black | | |
| Dimmable | Yes | | |
| Size | 147,3mm X 74mm X 34mm 5 ³ / ₄ " x 2 ⁷ / ₈ " x 1 ³ / ₈ " | | |
| IP | 20 | | |

PRODUCT CODE

| | | | | |
|----|---|------|---|-------|
| TT | - | TYPE | - | MODEL |
| TT | - | AMP | - | 4-32 |



- Amplifier five channels.
- Reproduces and amplifies an RGB CCT signal.
- 10A maximum each channel



| | | | |
|----------------------|--|-------|-------|
| Voltage | 5vDC | 12vDC | 24vDC |
| Power per channel | 50w | 120w | 240w |
| Amperage per channel | 10A | 10A | 10A |
| Channel | 5 | | |
| Finish | Black | | |
| Dimmable | Yes | | |
| Size | 170mm X 80mm X 20mm 6 ³ / ₄ " x 3 ¹ / ₈ " x 3 ³ / ₄ " | | |
| IP | 20 | | |

PRODUCT CODE

| | | | | |
|----|---|------|---|-------|
| TT | - | TYPE | - | MODEL |
| TT | - | AMP | - | 5-50 |



- DMX signal distribution.
- Eight amplified and isolated outputs.
- Terminal block connector.

| | |
|-------------|--|
| Voltage | 12vDC / 24vDC |
| Consumption | 4,5 w |
| DMX output | 8 |
| Finish | Black |
| Dimmable | No |
| Size | 215mm X 109mm X 21mm 8 ¹ / ₂ " X 4 ⁵ / ₁₆ " X 7 ⁷ / ₈ " |
| IP | 20 |

PRODUCT CODE

| | | | | |
|----|---|------|---|-------|
| TT | - | TYPE | - | MODEL |
| TT | - | DMX | - | OPTO |

TITANIUM

TECHNOLOGY

TT-DR-CVB65-
DMX-100



- Addressable via RDM
- Dimmable from 0.1% to 100% by DMX
- For dry and damp locations
- Class 2

| | |
|-------------------|--|
| Input voltage | 110~277vAC |
| Output voltage | 24vDC (class 2) |
| Output amperage | 12,5 A max. |
| Amperage by color | RGBW : 4 x 3,13 A |
| Power | 100w |
| Channel | 4 channels |
| Size | 316mm x 125mm x 42,7mm 12 7/16" x 4 15/16" x 1 11/16" |
| Dimmable | Yes 0,1% ~100% by DMX |
| Working temp. | -40°C ~ 60°C |
| IP | 66 |

PRODUCT CODE

| TT | - | TYPE | - | GROUP | - | MODEL | - | CHANNEL | - | POWER | - | OUTPUT VOLTAGE |
|----|---|------|---|-------|---|-------|---|---------|---|-------|---|----------------|
| TT | - | DR | - | CVB65 | - | DMX | - | 4C | - | 100 | - | 24V |
| TT | - | DR | - | CVB65 | - | DMX | - | 4C | - | 100 | - | 24V |

TITANIUM

TECHNOLOGY

TT-DR-CVB65-
DMX-300



- Addressable via RDM
- Dimmable from 0.1% to 100% by DMX
- For dry and damp locations

| | |
|-------------------|--|
| Input voltage | 110~277vAC |
| Output voltage | 24vDC |
| Output amperage | 12,5 A max. |
| Amperage by color | RGB : 3 x 4,17 A RGBW : 4 x 3,13 A RGBCW : 5 x 2,5 A |
| Power | 300w |
| Channel | 3C - 3 channels 4C - 4 channels 5C - 5 channels |
| Size | 316mm x 125mm x 42,7mm 12 7/16" x 4 15/16" x 1 11/16" |
| Dimmable | Yes 0,1% ~100% by DMX |
| Working temp. | -40°C ~ 60°C |
| IP | 66 |

PRODUCT CODE

| TT | - | TYPE | - | GROUP | - | MODEL | - | CHANNEL | - | POWER | - | OUTPUT VOLTAGE |
|----|---|------|---|-------|---|-------|---|---------|---|-------|---|----------------|
| TT | - | DR | - | CVB65 | - | DMX | - | 3C | - | 300 | - | 24V |
| TT | - | DR | - | CVB65 | - | DMX | - | | - | 300 | - | 24V |

LIMITED ONE (1) YEAR WARRANTY



Titanium Technology offers this limited warranty for one (1) year from the date of purchase of this Titanium Technology product (hereafter : the «Product»). A list of all the Titanium Technology products covered by this limited warranty is given at the end of this document.

This limited warranty is valid only for the Product and it may not be transferred.

The present limited warranty is not meant to exclude, restrict, limit or modify the legal warranty given by law to the purchaser of the Product.

This is a quality Product. It was made and selected with care. If the Product contains a manufacturing defect or if one or more parts of the Product is defective, the retailer commits to replace or repair, at its sole discretion, the defective part of parts without charge under the following cumulative conditions : 1) the purchaser must contact the retail store where the Product was purchased; 2) the purchaser must return the defective part of parts or the Product to the retailer; 3) the purchaser must provide the retailer the invoice as proof of purchase and date of purchase of the Product; 4) the purchaser must supply the Product identification information, including the serial number or the model number; and 5) the period of one (1) year covered by this limited warranty must not be expired. If the retailer decides to replace the defective part or parts, the replacement part or parts would be new or reconditioned, equivalent to new parts.

EXCLUSIONS AND LIMITATIONS OF THE LIMITED WARRANTY

This limited warranty is not applicable :

1. to consumable parts;
2. to normal wear;
3. when the Product is used for purposes other than those determined by the manufacturer;
4. when the Product is not installed by a qualified electrician when electrical work is required;
5. when the serial number or other identification information or the Product is erased or withdrawn;
6. to damages that are only aesthetic and do not affect the normal use of the Product, including scatches, bumps etc.;
7. to labour costs such as installation, de-installation or shipping of the Product which must be paid by the purchaser;
8. to service call costs, when the service call is made while the warranty is not valid;
9. when the damages, defects, faults or other problems arise from :
 - a. an abnormal use of the Product;
 - b. an inadequate maintenance of the Product;
 - c. a faulty installation of the Product or an installation that is not in accordance with the installation guide (if one is provided);
 - d. a modification, a repair or dismantling of the Product by a person not authorized by the retailer or the manufacturer;
 - e. the transportation by the purchaser, his employee, officer or representative;
 - f. a negligence by the purchaser, his employee, officer or representative;
 - g. an accident;
 - h. a case of force majeure (are considered force majeure : nature disasters, lightning, flood, fire etc.);
 - i. any event that is not caused by the Product itself.

In no circumstance can the manufacturer or retailer be held responsible for any extraordinary, special, indirect, accessory or consecutive damages resulting from the use of or the incapacity to use the Product. Their responsibility is limited to the sale price of the Product as indicated on the notice and paid by the purchaser at the time of purchase. It is understood that this is not meant to limit, restrict or exclude the protection given by the legal warranty.

FRENCH VERSION VS ENGLISH VERSION

In case of discrepancy between the French and the English versions of the text of this limited warranty, the French version shall prevail.

MODIFICATIONS

The present warranty text is subject to change at any time.

List of Titanium Technology products covered under this limited warranty :

- | | | |
|--------------------------|--------------------------|-----------------------|
| 1) Nicolaudie Controller | 5) TT-CAB-XX | 9) TT-WiFi |
| 2) LTECH Controller | 6) TT-DMX-XX | 10) Aluminium profile |
| 3) TT-ACC-XX | 7) TT-PSU-IP20 / PLUG-IN | 11) TT-Y-XX |
| 4) TT-AMP-XX | 8) TT-U-XX | |

Note : This product list may not be up to date. Please refer to the product itself (including the package or installation guide) to make sure it is covered by this limited warranty.

TITANIUM

TECHNOLOGY



TITANIUM TECHNOLOGY

2323, boulevard Versant Nord #111
Québec, QC
G1N 4P4 CANADA

Toll free (866)-476-8115
www.titaniumtechnology.com
sales@titaniumtechnology.com
www.facebook.com/titaniumtechnologie

TITANIUM TECHNOLOGY USA

NEWARK DE 19713

Toll free (866)-476-8115 ext.203
www.titaniumtechnology.com
sales@titaniumtechnology.com
www.facebook.com/titaniumtechnologie